

Born For Rental

MOBILE POWER SOLUTION

Designed To Meet Varsity Of Needs
Mobile Power Solution Featured With

- Mobile Solar Surveillance
- Mobile Solar LED Lighting
- Mobile Solar Generator
- Mobile Solar Telecom

BIGLUX INNOVATION LTD



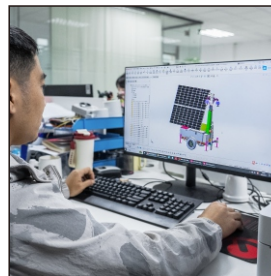
BIGLUX INNOVATION LTD

By adopting the latest SOLAR TRAILER and TOWER technology, BIGLUX develops and implements the most energy saving solar light tower, solar surveillance tower and other mobile power solutions for construction site, parking lot, sports, events and emergency applications etc.

5A WE HAVE

- A** strong expertise in SOLAR TRAILER and MOBILE POWER latest technologies
- A** broad experience in SOLAR TRAILER and MOBILE POWER applications
- A** n insatiable thirst for smart intelligent controlled SOLAR TOWER system
- A** background of over 10 years' experience in SOLAR and MOBILE TRAILER industry
- A** great heart of contribution to the world by renewable energy

Headquarter in ShenZhen, China, BIGLUX services clients from all over the world.



Smart Design



Strict Quality Control



Solution Provider

OUR PRODUCTS



HiGUARD
Mobile Solar Surveillance
& Lighting Tower



HiSOLO
Mobile Solar Surveillance
& Lighting Tower



HiSTAR
Mobile Solar Surveillance
Tower



HiLIGHT
Mobile Solar Light Tower



HiCUBE
Mobile Solar Surveillance
& Lighting Tower



HiPOWER
Mobile Solar Generator

HiGUARD™

PORTABLE SOLAR LIGHTING & SURVEILLANCE

Rental. Sale. Own. Lease

- Installation free
- Maintenance free
- Environmental friendly
- Affordable Price



PANEL ANGLE ADJUSTABLE

Specially designed durable solar panel mounting brackets with adjustable angle rotation. Customers can adjust the solar panel angle according to the direction of the sun in order to make better use of solar energy.

FRIENDLY DESIGN

Pluggable lithium battery design is easy for customer who want use their own LifePO4 battery.

DIMMING LED LIGHT

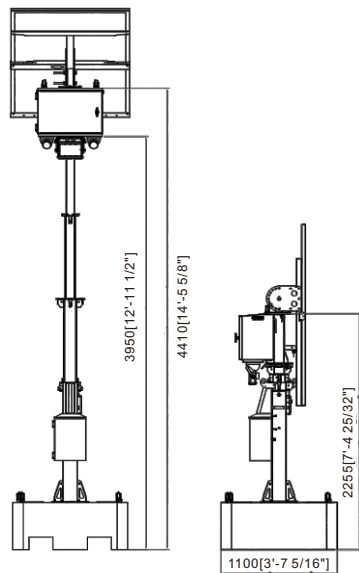
The portable tower with high efficiency LED lights and the lights are equipped with dimming sensor for energy saving lighting.

SURVEILLANCE SOLUTION

The portable tower can be equipped with cameras security guard and remote monitoring for working site or events.

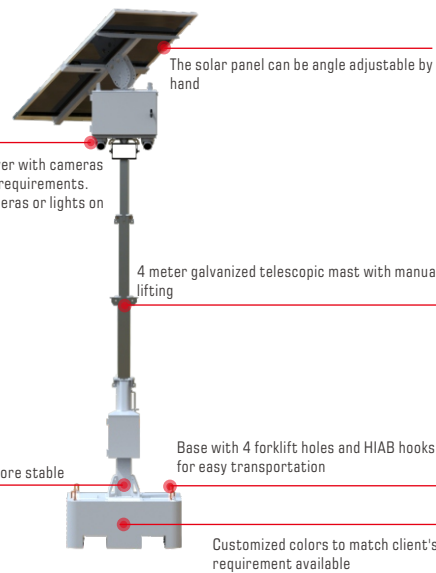
PRODUCT SKETCH

MAIN FEATURES



CUSTOMIZED DESIGN

Option1: BIGLUX supplies solar tower with cameras or lights according to customer's requirements.
Option2: Customer can install cameras or lights on the solar tower locally.



EASY TRANSPORT



CONTAINER LOADING

Assembled: 10 units for 20'GP container
20 units for 40'HQ container

HiSOLO™

MOBILE SOLAR TOWER

Rental. Sale. Own. Lease



ROTATABLE SOLAR PANEL

The rotatable solar panels help maximize solar energy utilization. In addition, this design makes it easier to deploy the trailers, as the solar panels can be positioned for the best angle regardless of the trailer's orientation.

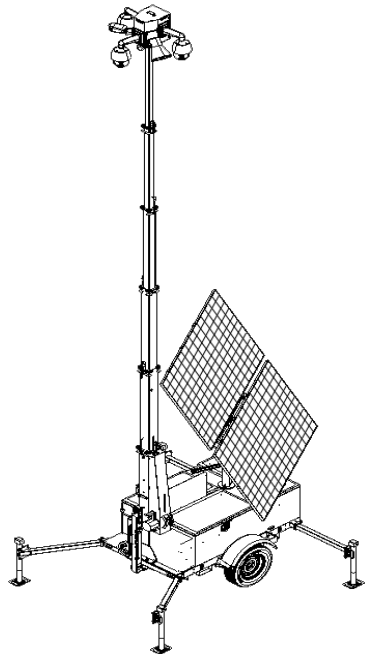


6-SIDE MOUNTING BOX

Multiple sides is flexible for installing your surveillance system. The removable mounting plates with pre-drilled holes make installation easier. Additionally, the mounting box can be optionally rotated for added convenience.



PRODUCT SKETCH



TECHNICAL DATA

Models	BL2P-G7MHSST	BL2P-G9EHSST	BL2P-G7MHSPR	BL2P-G9EHSPR	BL2P-G7MHL400PR
Solar Panel Type	Monocrystalline Silicon Type, Dual Facial Version, Rotatable				
Solar Panel Wattage	2*450W	2*450W	2*600W	2*600W	2*600W
PV Controller	Epever/Victron MPPT				
Battery Type	Lead Acid Battery, GEL Type	Lead Acid Battery, GEL Type	Lead Acid Battery, GEL Type	Lead Acid Battery, GEL Type	Lead Acid Battery, GEL Type
Battery QTY	4*200AH,DC12V	4*200AH,DC12V	4*250AH,DC12V	4*250AH,DC12V	4*250AH,DC12V
Battery Capacity	9600Wh	9600Wh	12000Wh	12000Wh	12000Wh
System Voltage	DC24V, DC Voltage Converter Installed				DC24V
Devices	CCTV Mounting Box For Surveillance System				4*100W LED Lights, 60000Lums
Cables	Network Cable+Power Cable; Integrated Within The Telescoping mast Or External Version Optional				Power Cable Within Or External Optional
Telescopic Mast	7 Meters	9 Meters	7Meters	9 Meters	7 Meters
Lifting System	Manual Winch	Electric Winch	Manual Winch	Electric Winch	Manual Winch
AC Charger	1.5kW	1.5kW	1.5kW	1.5kW	1.5kW
Trailer Type	US/EU/AU Standard, Signal Axle, Foldable Tow Bar, With Forklift Holes And Lift Rings				
Outrigger	4pcs Manual Outriggers, Foldable, Y Shape				
Working Temperature	-25°C-60°C	-25°C-60°C	-25°C-60°C	-25°C-60°C	-25°C-60°C
Charging Time	8.9 Hours (Theoretical)	8.9 Hours (Theoretical)	8.5 Hours (Theoretical)	8.5 Hours (Theoretical)	8.5 Hours (Theoretical)
Running Time	72 Hours for 106W	72 Hours for 106W	72 Hours for 133W	72 Hours for 133W	24 Hours for 400W
Options	Cameras, 4G Router, NVR, Speaker, Remote Control, Antenna, Inverter, 360° Rotation And 90° Tilt for lights, Dimmable Lights, Lithium Battery				
Transport Dimensions	3270*1675*2975mm	3270*1675*3175mm	3780*1675*2975mm	3780*1675*3175mm	3780*1675*2975mm
Operate Dimensions	3290*3245*7400mm	3290*3245*9400mm	3800*3245*7400mm	3800*3245*9400mm	3800*3245*7400mm
Gross Weight	1070KG	1100KG	1120KG	1150KG	1150KG
Container Loading	20GP: 6 units, 40HQ: 14 Units	20GP: 6 units, 40HQ: 14 Units	20GP: 6 units, 40HQ: 14 Units	20GP: 6 units, 40HQ: 14 Units	20GP: 6 units, 40HQ: 14 Units

HiSKID™

MOBILE SOLAR TOWER

Rental. Sale. Own. Lease



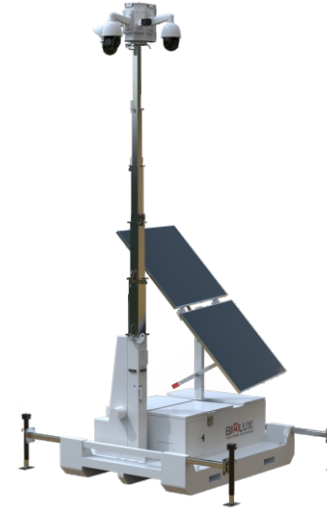
ROTATABLE SOLAR PANEL

The rotatable solar panels help maximize solar energy utilization. In addition, this design makes it easier to deploy the trailers, as the solar panels can be positioned for the best angle regardless of the trailer's orientation.

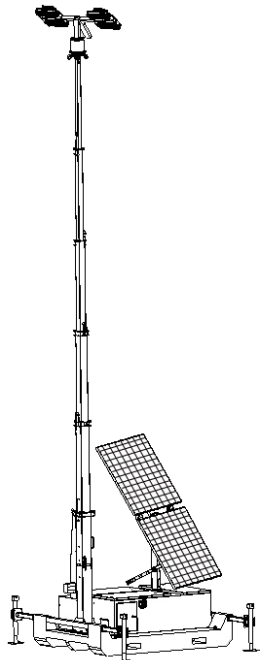


DURABLE BASE

The thick base, featuring forklift holes and a stable shape, ensures easy relocation and safe deployment. The hot-dip galvanized surface treatment provides excellent anti-corrosive properties, making it suitable for various environments.



PRODUCT SKETCH



TECHNICAL DATA

Models	BL2P-G7MHSSTD	BL2P-G9EHSSTD	BL2P-G7MHSPRD	BL2P-G7MHL400PRD	BL3P-G9EHL600D
Solar Panel Type	Monocrystalline Silicon Type, Dual Facial Version, Rotatable				
Solar Panel Wattage	2*450W	2*450W	2*600W	2*600W	3*450W
PV Controller	Epever/Victron MPPT	Epever/Victron MPPT	Epever/Victron MPPT	Epever/Victron MPPT	Epever/Victron MPPT
Battery Type	Lead Acid Battery	Lead Acid Battery	Lead Acid Battery	Lead Acid Battery	Lead Acid Battery
Battery QTY	4*200AH,DC12V	4*200AH,DC12V	4*250AH,DC12V	4*250AH,DC12V	6*200AH,DC12V
Battery Capacity	9600Wh	9600Wh	12000Wh	12000Wh	14400Wh
System Voltage	DC24V, DC Voltage Converter Installed			DC24V	DC24V
Devices	CCTV Mounting Box For Surveillance System			4*100W LED Lights, 60000Lums	4*150W LED Lights, 90000Lums
Cables	Network Cable+Power Cable; Integrated Within The mast Or External Version Optional			Power Cable Integrated Within The Mast Or External for Option	
Telescopic Mast	7 Meters	9 Meters	7Meters	7 Meters	9 Meters
Lifting System	Manual Winch	Electric Winch	Manual Winch	Manual Winch	Electric Winch
AC Charger	1.5kW	1.5kW	1.5kW	1.5kW	1.5kW/2.5kW
Skid Type	Durable Base, With Forklift Holes And Lift Rings				
Outrigger	4pcs Manual Outriggers, Foldable, Y Shape				
Working Temperature	-25°C-60°C	-25°C-60°C	-25°C-60°C	-25°C-60°C	-25°C-60°C
Charging Time	8.9 Hours (Theoretical)	8.9 Hours (Theoretical)	8.5 Hours (Theoretical)	8.5 Hours (Theoretical)	8.5 Hours (Theoretical)
Running Time	72 Hours for 106W	72 Hours for 106W	72 Hours for 133W	72 Hours for 133W	24 Hours for 400W
Options	Cameras, 4G Router, NVR, Speaker, Remote Control, Antenna, Inverter, 360° Rotation And 90° Tilt for lights, Dimmable Lights, Lithium Battery				
Transport Dimensions	3270*1675*2475mm	3270*1675*2675mm	3780*1675*2475mm	3780*1675*2475mm	3250*1710*2620mm
Operate Dimensions	3290*3245*6900mm	3290*3245*8900mm	3800*3245*6900mm	3800*3245*6900mm	3250*3410*8900mm
Gross Weight	1120KG	1150KG	1170KG	1200KG	1450KG
Container Loading	20GP: 6 units, 40HQ: 14 Units	20GP: 6 units, 40HQ: 14 Units	20GP: 6 units, 40HQ: 14 Units	20GP: 6 units, 40HQ: 14 Units	20GP: 6 units, 40HQ: 14 Units

HiSTAR™

MOBILE SURVEILLANCE TOWER

Rental. Sale. Own. Lease

The HiSTAR series Solar Trailer is an autonomously-powered surveillance trailer that can be rapidly deployed practically at any location, providing security for construction job sites, parking lots, public events or any off-grid location that requires video monitoring.

- Social events Temporary portable security
- Parking lot security and remote monitoring
- Construction Site Security
- Solar Farms security and remote monitoring
- Farms security and remote monitoring
- Ports and Airports mobile Security
- Border patrol locations Monitoring
- Traffic Monitoring / Vehicle Counting



CCTV MOUNTING

CCTV mounting box is ready on top of the surveillance trailer tower. Customer can mount bullet cameras and PTZ dome cameras as their like. 4G Router, Antenna and Speaker can be mounted on the box too.



LIGHTS & CAMERAS MOUNTING

For comprehensive on-site working needs, we have specially designed the mounting box with arms for both lights and cameras mounting. Net cable + power cables are ready on the top of tower.



BACK-UP GENERATOR OPTIONAL

Our mobile surveillance trailer can be equipped with back-up generator, so it can continuously work in rainy or cloudy days to protect your assets even there is no sun.

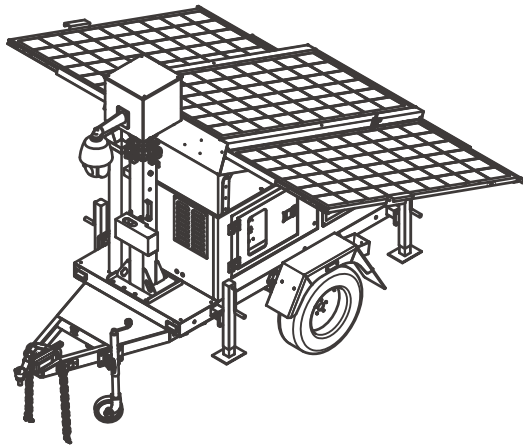


AC POWER INPUT & OUTPUT OPTIONAL

International standard input plugs or output sockets are equipped. The inverter and battery charger are optional for customer's needs, so the trailer can be charged by utility AC power when there is no sun or supply power for charging other electronics.

PRODUCT SKETCH

TECHNICAL DATA



Models	BL3P-G7MHS	BL3P-G7EHS	BL3P-G9MHS	BL3P-G9EHS	BL5P-G9EHS
Solar Panel Type	Monocrystalline Silicon Type, Dual Facial Version, Angle Adjustable				
Solar Panel Wattage	3*450W	3*450W	3*450W	3*450W	5*450W
PV Controller	Epever/Victron MPPT				
Battery Type	Lead Acid Battery, GEL Type				
Battery QTY	6*200AH, DC12V	6*200AH, DC12V	6*200AH, DC12V	6*200AH, DC12V	8*200AH, DC12V
Battery Capacity	14400Wh	14400Wh	14400Wh	14400Wh	19200Wh
System Voltage	DC24V, DC Voltage Converter Installed				DC48V, DC Voltage Converter Installed
Devices	CCTV Mounting Box For Surveillance System				
Cables	Network Cable+Power Cable; Integrated Within The Telescoping mast Or External Version Optional				
Telescopic Mast	7 Meters	7 Meters	9 Meters	9 Meters	9 Meters
Lifting System	Manual Winch	Electric Winch	Manual Winch	Electric Winch	Electric Winch
AC Charger	1.5kW/2.5kW	1.5kW/2.5kW	1.5kW/2.5kW	1.5kW/2.5kW	1.5kW/2.5kW
Trailer Type	US/EU/AU Standard, Signal Axle, Foldable Tow Bar, With Forklift Holes And Lift Rings				
Outrigger	4pcs Manual Outriggers, Foldable				
Working Temperature	-25°C-60°C	-25°C-60°C	-25°C-60°C	-25°C-60°C	-25°C-60°C
Charging Time	8.9 Hours (Theoretical)	8.9 Hours (Theoretical)	8.9 Hours (Theoretical)	8.9 Hours (Theoretical)	7.1 Hours (Theoretical)
Running Time	72 Hours for 160W	72 Hours for 160W	72 Hours for 160W	72 Hours for 160W	72 Hours for 210W
Options	Cameras, 4G Router, NVR, Speaker, Remote Control, Antenna, Inverter, Dimmable Lights, Lithium Battery, Backup Generator				
Transport Dimensions	3250*1710*2950mm	3250*1710*2950mm	3250*1710*3175mm	3250*1710*3175mm	3250*1710*3175mm
Operate Dimensions	3250*3410*7300mm	3250*3410*7300mm	3250*3410*9300mm	3250*3410*9300mm	3250*5600*9300mm
Gross Weight	1350KG	1350KG	1350KG	1400KG	1400KG
Container Loading	20GP: 3 units, 40HQ: 7 Units	20GP: 3 units, 40HQ: 7 Units	20GP: 3 units, 40HQ: 7 Units	20GP: 3 units, 40HQ: 7 Units	20GP: 3 units, 40HQ: 7 Units

HiLIGHT™

MOBILE SOLAR LIGHT TOWER

Rental. Sale. Own. Lease



HIGH EFFICIENCY LED LIGHT

HiLIGHT series solar lighting tower is equipped with high efficiency LED flood light to guarantee optimal use of the battery and solar system.

360° ROTATION & 90° TILT OPTIONAL

All lights can be 360° rotated and 90° tilted. Each light's angle is adjustable. Customer can adjust ideal lighting angle according on-site situation.

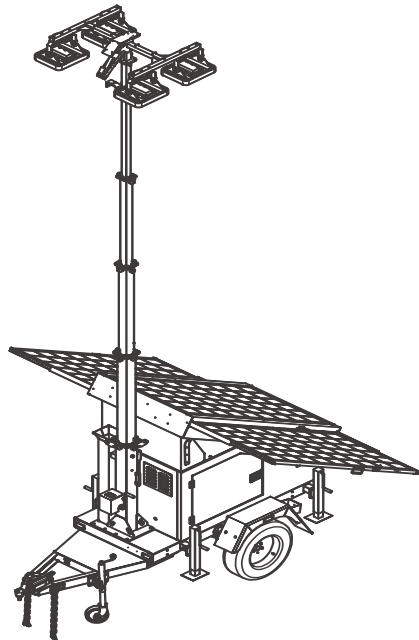
DIMMABLE LIGHTING OPTIONAL

The lighting time and brightness can be setup by MPPT controller. The lights can be equipped with motion sensor for dimming.

MOBILE SOLAR TRAILER

The lighting tower is mounted on the mobile solar trailer so it can be easily transported and deployed for temporary work site. The whole system is heavy duty design for utility working.

PRODUCT SKETCH



TECHNICAL DATA

Models	BL3P-G7MHL400	BL3P-G7EHL400	BL3P-G9MHL600	BL3P-G9EHL600	BL3P-G9EHL800
Light Wattage	4*100W LED Lights	4*100W LED Lights	4*150W LED Lights	4*150W LED Lights	4*200W LED Lights
Lights Output	DC24V, 60000Lumens	DC24V, 60000Lumens	DC24V, 90000Lumens	DC24V, 90000Lumens	DC48V, 180000Lumens
Solar Panel Type	Monocrystalline Silicon Type, Dual Facial Version, Angle Adjustable				
Solar Panel Wattage	3*450W	3*450W	3*450W	3*450W	5*450W
PV Controller	Epever/Victron MPPT	Epever/Victron MPPT	Epever/Victron MPPT	Epever/Victron MPPT	Epever/Victron MPPT
Battery Type	Lead Acid Battery, GEL Type	Lead Acid Battery, GEL Type	Lead Acid Battery, GEL Type	Lead Acid Battery, GEL Type	Lead Acid Battery, GEL Type
Battery QTY	6*200AH,DC12V	6*200AH,DC12V	6*200AH,DC12V	6*200AH,DC12V	8*200AH,DC12V
Battery Capacity	14400Wh	14400Wh	14400Wh	14400Wh	19200Wh
System Voltage	DC24V	DC24V	DC24V	DC24V	DC48V
Telescopic Mast	7 Meters	7 Meters	9 Meters	9 Meters	9 Meters
Lifting System	Manual Winch	Electric Winch	Manual Winch	Electric Winch	Electric Winch
AC Charger	1.5kW/2.5kW	1.5kW/2.5kW	1.5kW/2.5kW	1.5kW/2.5kW	1.5kW/2.5kW
Trailer Type	US/EU/AU Standard, Signal Axle, Foldable Tow Bar, With Forklift Holes And Lift Rings				
Outrigger	4pcs Manual Outriggers, Foldable				
Working Temperature	-25°C-60°C	-25°C-60°C	-25°C-60°C	-25°C-60°C	-25°C-60°C
Charging Time	8.9 Hours (Theoretical)	8.9 Hours (Theoretical)	8.9 Hours (Theoretical)	8.9 Hours (Theoretical)	7.1 Hours (Theoretical)
Running Time	28.8 Hours for 400W	28.8 Hours for 400W	19.2 Hours for 600W	19.2 Hours for 600W	19.2 Hours for 800W
Options	Remote Control, Inverter, Router, 360° Rotation And 90° Tilt for lights, Dimmable Lights, Lithium Battery, Backup Generator				
Transport Dimensions	3250*1710*2950mm	3250*1710*2950mm	3250*1710*3175mm	3250*1710*3175mm	3250*1710*3175mm
Operate Dimensions	3250*3410*7300mm	3250*3410*7300mm	3250*3410*9300mm	3250*3410*9300mm	3250*5600*9300mm
Gross Weight	1350KG	1350KG	1350KG	1400KG	1400KG
Container Loading	20GP: 3 units, 40HQ: 7 Units	20GP: 3 units, 40HQ: 7 Units	20GP: 3 units, 40HQ: 7 Units	20GP: 3 units, 40HQ: 7 Units	20GP: 3 units, 40HQ: 7 Units

HiCUBE™

MOBILE SOLAR TOWER

Rental. Sale. Own. Lease

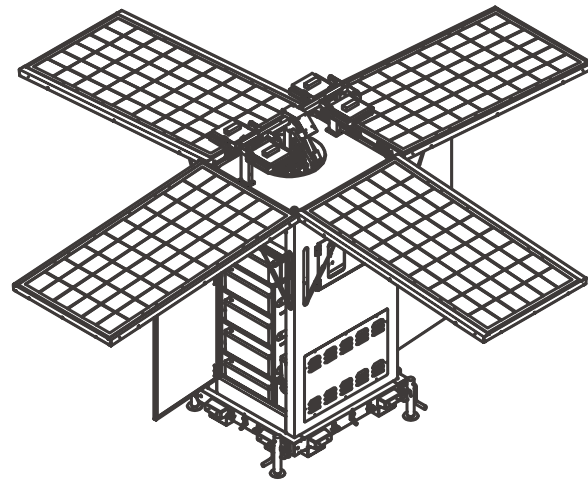
The essential function of HiCUBE solar tower is the same as solar trailer tower.

It is more comprehensive and compact design with features:

- Smaller size to save cost for storage and transportation
- 2.2m high body, too high to be destroyed or stolen by thief
- 1000KG+ weight with 4 outriggers to ensure stability
- Durable base to ensure long-term using life
- 4 forklift holes to meet temporary and mobility needs
- 4 rings for HIAB hook lifting and deployment
- Born for rental business



PRODUCT SKETCH



TECHNICAL DATA

Models	BL2P-G7EHCS	BL3P-G7EHCS	BL4P-G9EHCS	BL3P-G7EHCL400	BL4P-G9EHCL600
Solar Panel Type	Monocrystalline Silicon	Monocrystalline Silicon	Monocrystalline Silicon	Monocrystalline Silicon	Monocrystalline Silicon
Solar Panel Wattage	2*350W	3*350W	4*350W	3*350W	4*350W
PV Controller	Epever/Victron MPPT	Epever/Victron MPPT	Epever/Victron MPPT	Epever/Victron MPPT	Epever/Victron MPPT
Battery Type	Lead Acid Battery	Lead Acid Battery	Lead Acid Battery	Lead Acid Battery	Lead Acid Battery
Battery QTY	4*150AH,DC12V	6*150AH,DC12V	8*150AH,DC12V	6*150AH,DC12V	8*150AH,DC12V
Battery Capacity	7200Wh	10800Wh	14400Wh	10800Wh	14400Wh
System Voltage	DC24V	DC24V	DC48V	DC24V	DC48V
Devices	CCTV Mounting Box For Surveillance System			4*100W LED Lights, 60000Lums	4*150W LED Lights, 90000Lums
Spring Cables	Network Cable+Power Cable	Network Cable+Power Cable	Network Cable+Power Cable	Power Cable	Power Cable
Telescopic Mast	7 Meters	7 Meters	9Meters	7 Meters	9 Meters
Lifting System	Electric Winch	Electric Winch	Electric Winch	Electric Winch	Electric Winch
AC Charger	1.5kW	1.5kW/2.5kW	1.5kW/2.5kW	1.5kW/2.5kW	1.5kW/2.5kW
Outrigger	4pcs Manual Outriggers, Foldable				
Working Temperature	-25°C-60°C	-25°C-60°C	-25°C-60°C	-25°C-60°C	-25°C-60°C
Charging Time	8.6 Hours (Theoretical)	8.6 Hours (Theoretical)	8.6 Hours (Theoretical)	8.6 Hours (Theoretical)	8.6 Hours (Theoretical)
Running Time	72Hours for 80W	72Hours for 120W	72Hours for 120W	21.6 Hours for 400W	19.2 Hours for 600W
Optional	Cameras, 4G Router, NVR, Speaker, Remote Control, Antenna, Inverter, 360° Rotation And 90° Tilt, Lithium Battery				
Transport Dimensions	1362*1028*2176mm	1362*1028*2176mm	1362*1028*2176mm	1362*1028*2176mm	1362*1028*2176mm
Operate Dimensions	4839*4148*7000mm	5155*4839*7000mm	5155*4839*7000mm	5155*4839*7000mm	5155*4839*7000mm
Gross Weight	900KG	1000KG	1150KG	1000KG	1150KG
Container Loading	20GP: 8pcs, 40HQ: 16pcs	20GP: 8pcs, 40HQ: 16pcs	20GP: 8pcs, 40HQ: 16pcs	20GP: 8pcs, 40HQ: 16pcs	20GP: 8pcs, 40HQ: 16pcs

HiPOWER™

MOBILE SOLAR GENERATOR

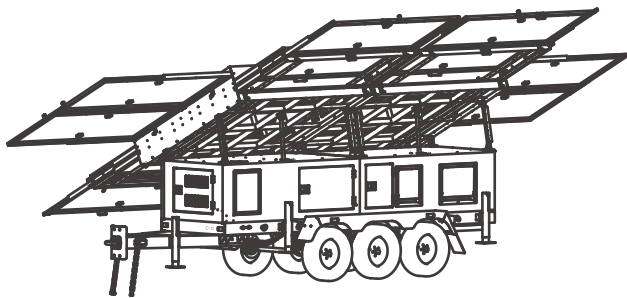
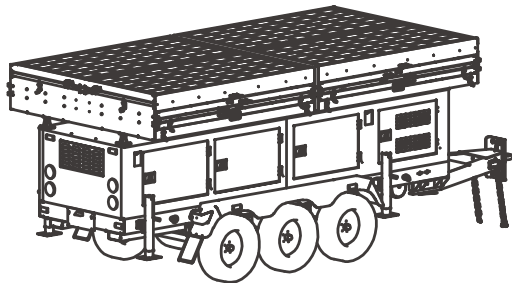
Rental. Sale. Own. Lease

HiPOWER Mobile solar generator is a portable power system that uses solar panels to convert sun's energy into DC electricity and store that electricity power in batteries for later use. With inverters, the power in batteries can be used for charging electronics.

BIGLUX mobile solar generator mounted on trailer has larger capacity to support your applications. It is a good alternative to diesel or petrol generator with clean, renewable energy and low maintenance, but longer life time.



PRODUCT SKETCH



TECHNICAL DATA

Models	BL8P-GHP	BL10P-GHP	BL12P-GHP	BL14P-GHP	BL16P-GHP
Solar Panel Type	Monocrystalline Silicon	Monocrystalline Silicon	Monocrystalline Silicon	Monocrystalline Silicon	Monocrystalline Silicon
Solar Panel Wattage	8*460W	10*460W	12*460W	14*460W	16*460W
PV Controller	Epever/Victron MPPT	Epever/Victron MPPT	Epever/Victron MPPT	Epever/Victron MPPT	Epever/Victron MPPT
Battery Type	Lead Acid Battery	Lead Acid Battery	Lead Acid Battery	Lead Acid Battery	Lead Acid Battery
Battery QTY	16*200AH, 12V	20*200AH, 12V	24*200AH, 12V	28*150AH, 12V	32*150AH, 12V
Battery Capacity	38400Wh	48000Wh	57600Wh	67200Wh	76800Wh
System Voltage	DC48V	DC48V	DC48V	DC48V	DC48V
Inverter	8kW/8kW 50/60HZ, pure sine wave		10kW/10kW 50/60HZ, pure sine wave		
Input Plug	1xAC240V/AC120V		2xAC240V/AC120V		
Output Socket	3xAC240V/AC120V		4xAC240V/AC120V		
Axle No.	Dual	Dual	Triple	Triple	Triple
Tyre and Rim	15 Inch	15 Inch	15 Inch	15 Inch	15 Inch
Outrigger	4pcs Manual	4pcs Manual	4pcs Manual	4pcs Manual	4pcs Manual
Tow Hitch	50mm Ball/ 70mm Ring	50mm Ball/ 70mm Ring	70mm Ring	70mm Ring	70mm Ring
Working Temperature	-25°C-60°C	-25°C-60°C	-25°C-60°C	-25°C-60°C	-25°C-60°C
Charging Time	8.8Hours (Theoretical)	8.8Hours (Theoretical)	8.8Hours (Theoretical)	8.8Hours (Theoretical)	8.8Hours (Theoretical)
Running Time	5.1 Hours for 6kW	6.4 Hours for 6kW	5.7 Hours for 8kW	6.7 Hours for 8kW	7.6 Hours for 8kW
Optional	Antenna, Mast, Router, GPS, Battery Charger, Inverter, Backup Generator, Wind Turbine				
Transport Dimensions	2600*2200*2200 mm	2600*2200*2000mm	4600*2200*2200mm	4600*2200*2200mm	4600*2200*2200mm
Operate Dimensions	5800*6400*2300mm	6400*6400*2300mm	5700*6400*2200mm	7500*6400*2200mm	8400*6400*2200mm
Gross Weight	2600KG	2800KG	3000KG	3200KG	3400KG
Container Loading	20GP: 2pcs, 40HQ: 4pcs	20GP: 2pcs, 40HQ: 4pcs	20GP: 1pcs, 40HQ: 2pcs	20GP: 1pcs, 40HQ: 2pcs	20GP: 1pcs, 40HQ: 2pcs

SOLUTIONS

MOBILE SOLAR TOWER

Rental. Sale. Own. Lease

BIGLUX develops and implements specific & innovative mobile solar tower and mobile solar generator solutions for different commercial and industrial applications. By adopting the latest renewable energy technologies, BIGLUX integrated solar and battery system to develops and implements the most energy saving renewable mobile solar power systems to work as solar surveillance tower, solar lighting tower, solar generator, solar telecom tower solutions for multiple applications:

- Outdoor Parking Lots
- Traffic Monitoring
- Construction Sites
- Emergency Rescue
- Public Security
- Sports and Events

- Forest Fire Prevention
- Military Bases
- Mining and Oil
- Refuse Disposal Plants
- Logistics Centers
- Defense Frontiers

- Airports
- Camping
- Agriculture
- Telecom
- Industry
- Data Centers



INNOVATION DRIVEN QUALITY ORIENTED

BIGLUX is a quality-oriented and innovation-driven company. With a strong focus on independent research and development, we have consistently achieved breakthroughs in leading technologies. Our commitment to excellence enables us to meet the diverse and personalized needs of customers across various industries. Whether it's through pioneering advancements or tailored solutions, BIGLUX is dedicated to delivering superior products and services that cater to the unique requirements of each client.

10+ Years Experience

Our rich experience and past lessons in the industry can help customers avoid detours and get better product and service experience.

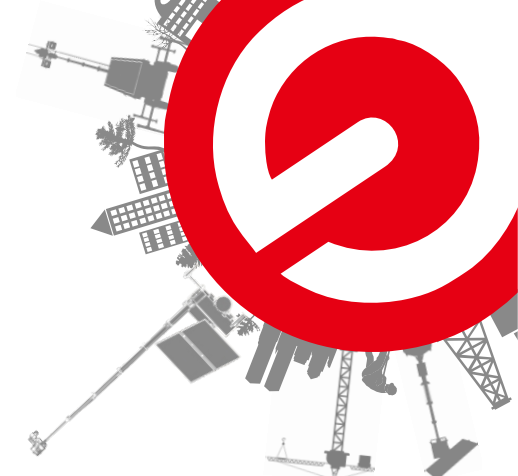
20+ Certificates

We have obtained most of the professional certificates in the industry and insist on international standards of production.

100+ Repeat Order Customers

Thanks to our customers trust and support, the continuous orders from old customers are an important cornerstone of BIGLUX stable development.





BIGLUX INNOVATION LTD

www.bigluxsolar.com

www.bigluxled.com

WhatsApp: +86 188 1878 5601

Email: info@bigluxsolar.com

Add: Building 6, No. 34 Guanghui Road, Longteng Community, Shiyan Street, Bao'an District, Shenzhen, China
